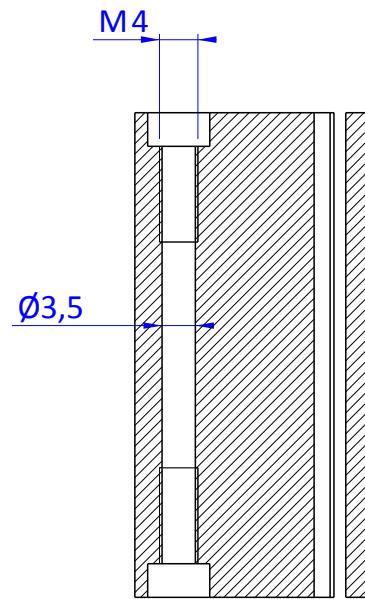
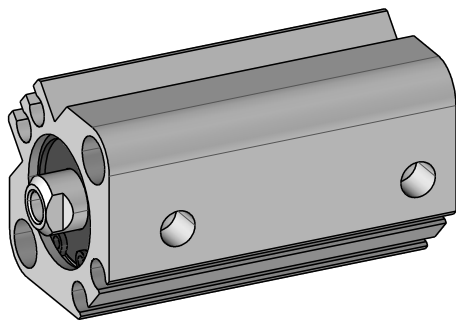
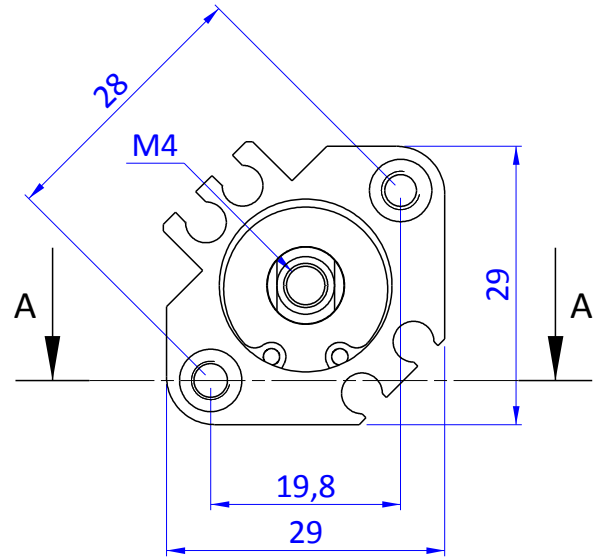
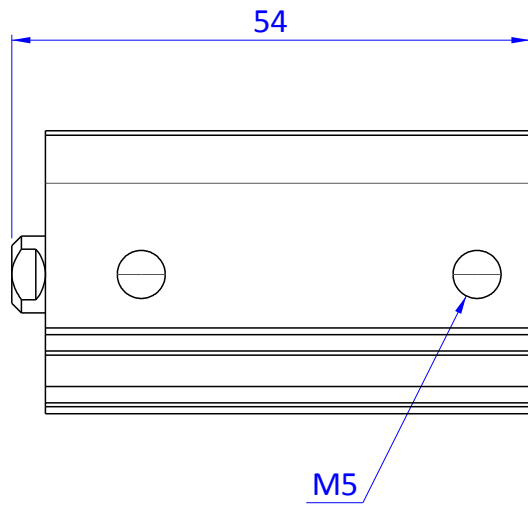

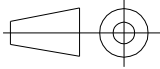


THE PROPERTY OF THE DRAWING IS ESTABLISHED BY LAW. IT IS FORBIDDEN TO PRODUCE OR SHOW IT TO THIRD PART. WITHOUT A WRITTEN AGREEMENT.



A - A

STROKE = 20 mm

<p>Format A4</p> <p>UNI 936-76</p>	 <p>FPS FPSERVICES AUTOMATION</p>			<p>DESIGNED FROM</p> <p>FPS Automation</p>		<p>REVIEW</p> <p>A</p>
	<p>GENERAL TOLERANCE</p> <p>UNI - ISO 2768</p> <p>CLASSE f</p>			<p>DATE</p> <p>04/07/2019</p>		<p>WEIGHT</p> <p>0.105Kg</p>
	<p>DESCRIPTION</p> <p>CA.11.18.004</p>			<p>CODE</p> <p>CA.11.18.004</p>		